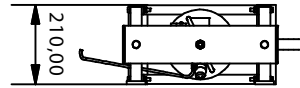
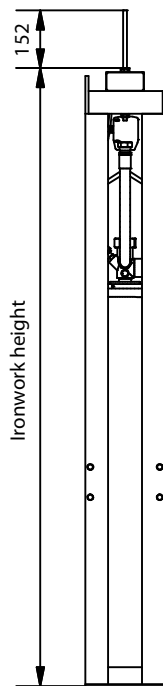
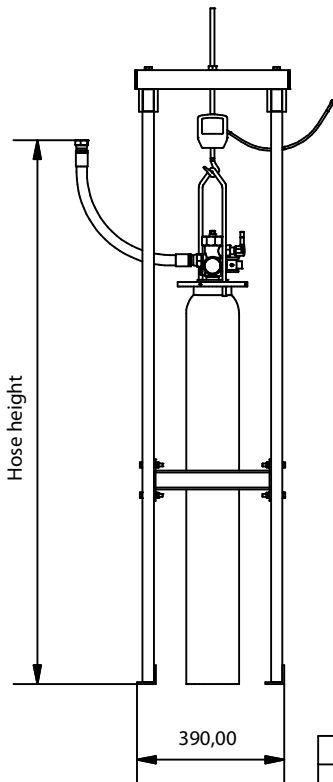
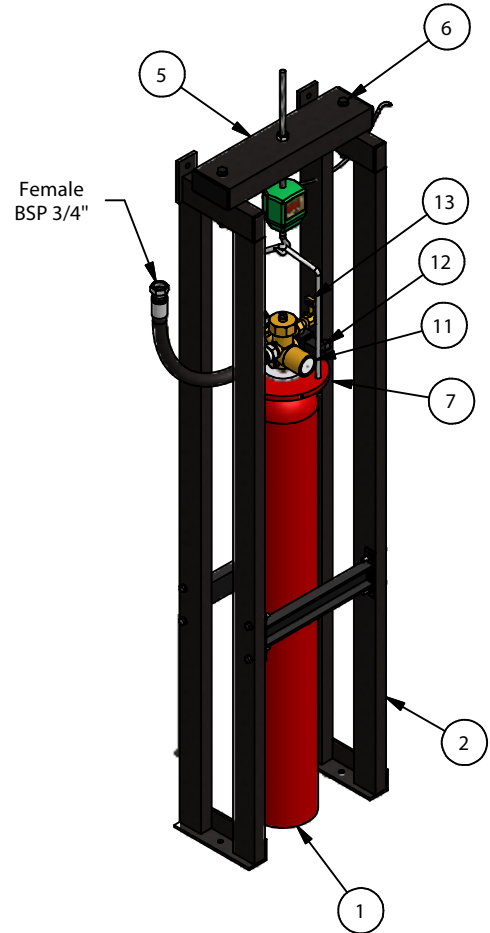
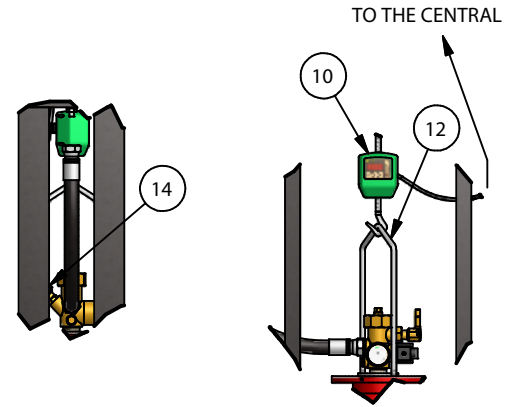


AUTONOMOUS CYLINDER FROM 5 TO 13,4L HFC227ea WITH CONTINUOUS WEIGHING AEX/SBP14FM, AEX/SBP16FM y AEX/SBP113FM

Parts List	
Part Number	Reference and Description
1	BEF5 / BEF6 / BEF13 - 5 L/6 L/13.4 L cylinder
2	HP4 / HP13 / HP13 - Weighing cylinder foot
3	HTP1 - Crossbar for one cylinder
4	TO8M55 - Screws, nuts and washers M8
5	HS1 - Soporte suspension bateria 1 cilindro
6	TO10M125 - Screws, nuts and washers M10
7	BRW80-1 - Flange W80
8	BPAS1 - Arch suspension continuous weighing cylinders
9	AEX/CPC3 - Continuous weighing control
10	AEX/VFM100S - HFC 100 Pilot Valve
11	AEX/M80 - Pressure gauge
12	AEX/VS24 - Solenoid valve
13	AEX/PM160A - Manual lever
14.1	AEX/PA - Pressure switch normally open with pressure (optional)
14.2	AEX/PC - Pressure switch normally closed with pressure (optional)
15	L34 - 3/4 " BSP hose
16	AEX/LE - Microphone input hose



Specifications					
Reference	Capacity	Minimum load	Maximum load	Hose height	Ironwork height
AEX/SBP14FM	5 L	2.4 Kg.	5.7 Kg.	820 mm	1016 mm
AEX/SBP16FM	6.7 L	3.2 Kg.	7.7 Kg.	920 mm	1116 mm
AEX/SBP113FM	13.4 L	6.4 Kg.	15.4 Kg.	1440 mm	1636 mm

Token code:	Family tab:	Reference:	Drawn :	Date:	Reviewed :	Date:	Revision:	Format:
AEX-FTC-04-004	HFC 227ea	VER TABLA	DCM	13/12/2018	ENC	3/12/2018	1	A4